

Connected Pods



Connected Eco Pods

All the Pods can be connected to each other to extend the size of the Pods. The standard parts remain the same, but the rear floor prints are replaced with connection brackets on both sides in order to create a larger floor inside without any plinths in the middle.

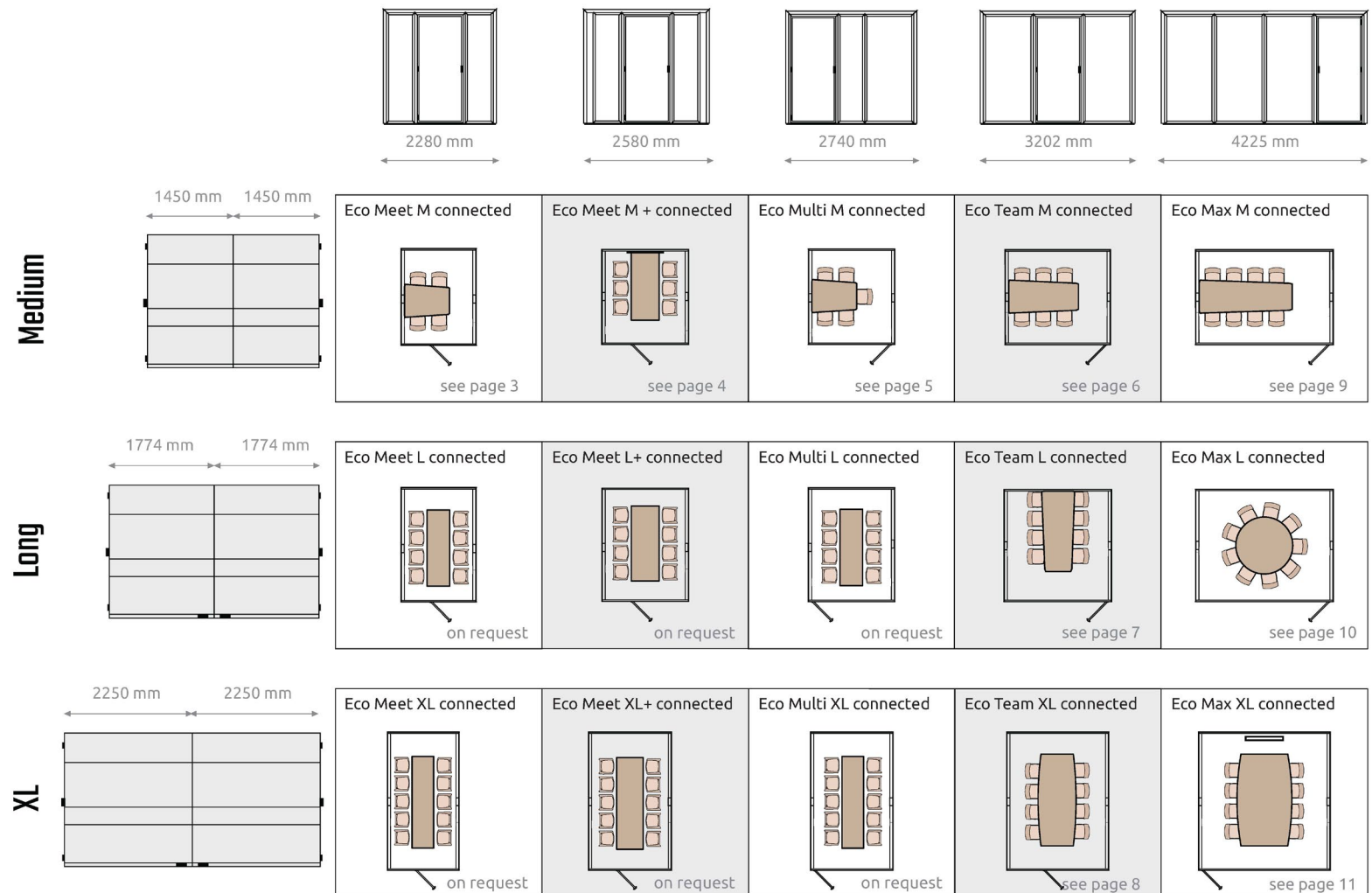
Lighting and other electrical components can be interconnected. The cover cap at the joint of the connected Pods can be replaced with a deeper cover featuring integrated power sockets and an optional wall mount for a large screen.

- Pods of different depths can also be connected to create the optimal size for your space (joint not centered).

- Connected Pods are centrally controlled using a single ceiling-mounted sensor.

- No loss of speech level reduction due to the connection.

- The door hinge can be repositioned to the opposite side. An additional rear door is available.



Eco Meet M connected

Connected Pods collection



Glass backside



Backpanel



Closed backside

CAPACITY

4 to 5 persons

WEIGHT

Pod 947 kg
Crate 184 kg

ACOUSTICS

30,2 dB Cat A
ISO 23351-1

AIRFLOW

566,4 cfm
960 m³/h

SUSTAINABLE

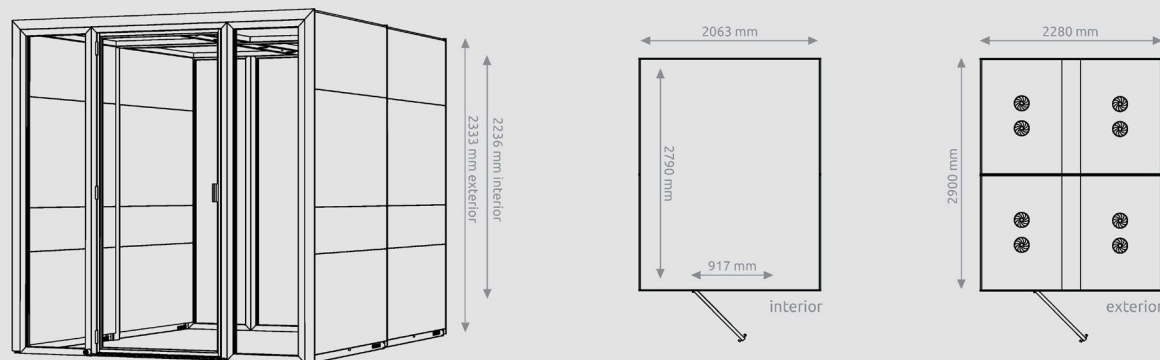
75,2% recycled
98,9% recyclability

OPTIONAL

- power sockets see pag 12
 - interior - exterior options see pag 13
 - adaptable ventilation & light see pag 14
- Water sprinkler intergrated on request

INCLUDED

- 4x led-lights 5W with sensor
- air ventilation
- door with magnetic closure



Eco Meet M+ connected

Connected Pods collection



Glass backside



Backpanel



Closed backside

CAPACITY

4 to 5 persons

WEIGHT

Pod 1048 kg
Crate 184 kg

ACOUSTICS

30,2 dB Cat A
ISO 23351-1

AIRFLOW

566,4 cfm
960 m³/h

SUSTAINABLE

73,7% recycled
98,9% recyclability

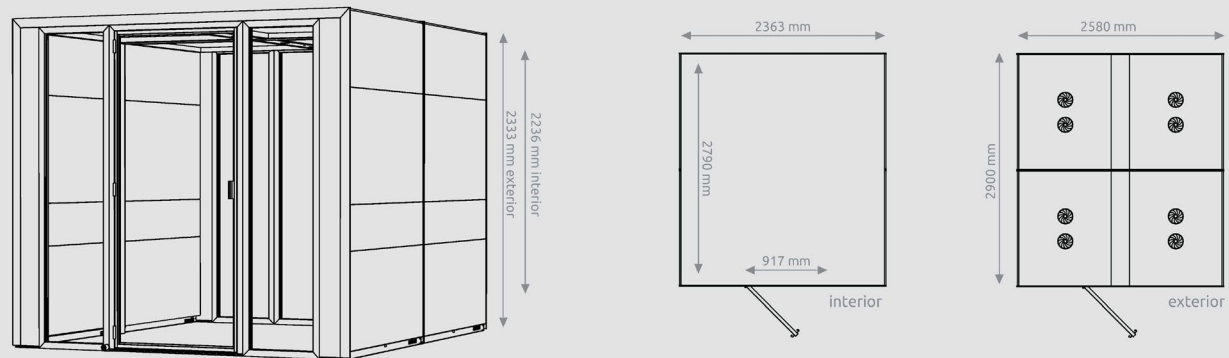
OPTIONAL

- power sockets see pag 12
- interior - exterior options see pag 13
- adaptable ventilation & light see pag 14

Water sprinkler intergrated on request

INCLUDED

- 4x led-lights 5W with sensor
- air ventilation
- door with magnetic closure



Eco Multi M connected

Connected Pods collection



Glass backside



Backpanel



Closed backside

CAPACITY

4 to 5 persons

WEIGHT

Pod 1062 kg
Crate 184 kg

ACOUSTICS

30,2 dB Cat A
ISO 23351-1

AIRFLOW

849.6 cfm
1440 m³/h

SUSTAINABLE

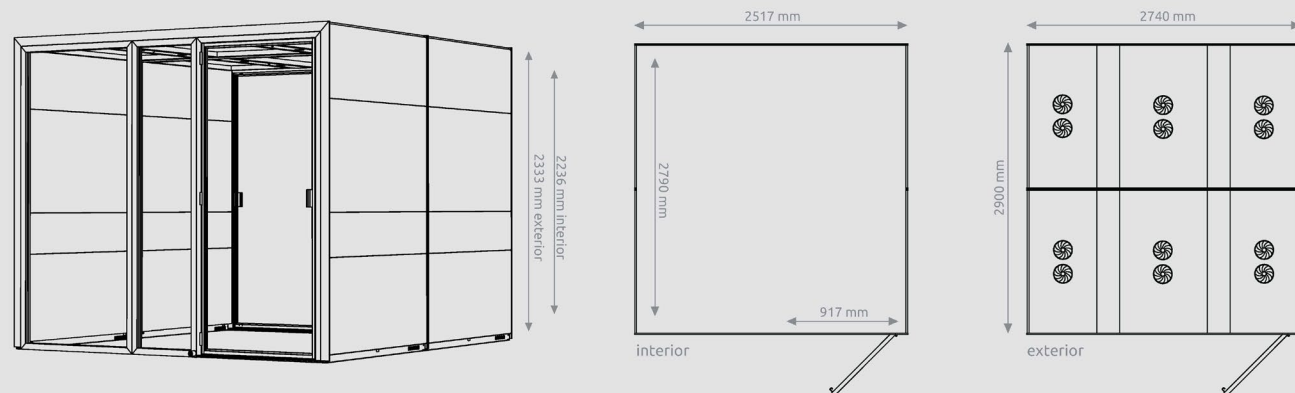
73,2% recycled
98,9% recyclability

OPTIONAL

- power sockets see pag 12
 - interior - exterior options see pag 13
 - adaptable ventilation & light see pag 14
- Water sprinkler intergrated on request

INCLUDED

- 8x led-lights 5W with sensor
- air ventilation
- door with magnetic closure



Eco Team M connected

Connected Pods collection



Glass backside



Backpanel



Closed backside

CAPACITY

6 to 7 persons

WEIGHT

Pod 1159 kg
Crate 184 kg

ACOUSTICS

30,2 dB Cat A
ISO 23351-1

AIRFLOW

849.6 cfm
1440 m³/h

SUSTAINABLE

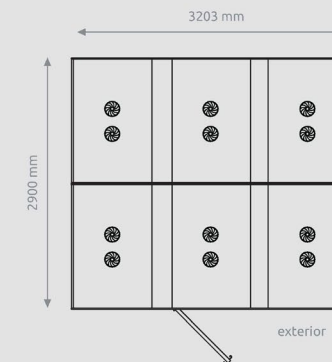
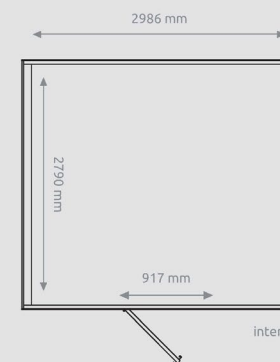
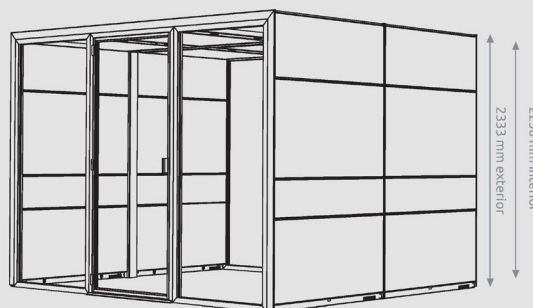
71,9% recycled
98,9% recyclability

OPTIONAL

- power sockets see pag 12
 - interior - exterior options see pag 13
 - adaptable ventilation & light see pag 14
- Water sprinkler intergrated on request

INCLUDED

- 8x led-lights 5W with sensor
- air ventilation
- door with magnetic closure



Eco Team L connected

Connected Pods collection



Glass backside



Backpanel



Closed backside

CAPACITY

6 to 7 persons

WEIGHT

Pod 1317 kg
Crate 276 kg

ACOUSTICS

30,2 dB Cat A
ISO 23351-1

AIRFLOW

849.6 cfm
1440 m³/h

SUSTAINABLE

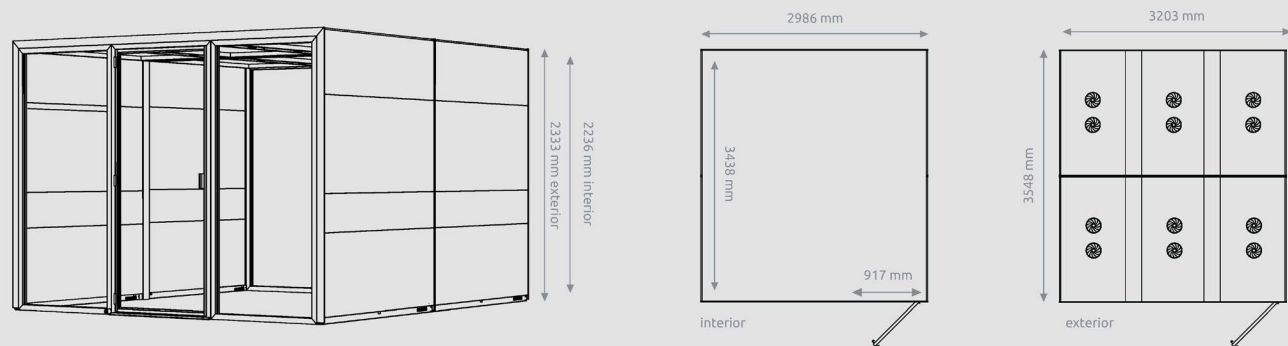
71,9% recycled
98,9% recyclability

OPTIONAL

- power sockets see pag 12
 - interior - exterior options see pag 13
 - adaptable ventilation & light see pag 14
- Water sprinkler intergrated on request

INCLUDED

- 4x led-lights 5W with sensor
- air ventilation
- door with magnetic closure



Eco Team XL connected

Connected Pods collection



Glass backside



Backpanel



Closed backside

CAPACITY

8 to 9 persons

WEIGHT

Pod 1546 kg
Crate 276 kg

ACOUSTICS

30,2 dB Cat A
ISO 23351-1

AIRFLOW

849.6 cfm
1440 m³/h

SUSTAINABLE

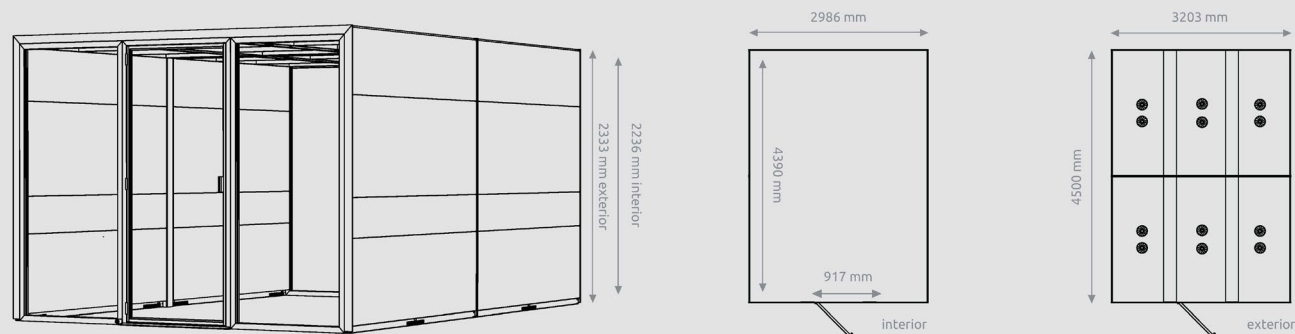
77,6% recycled
98,7% recyclability

OPTIONAL

- power sockets see pag 12
 - interior - exterior options see pag 13
 - adaptable ventilation & light see pag 14
- Water sprinkler intergrated on request

INCLUDED

- 8x led-lights 5W with sensor
- air ventilation
- door with magnetic closure



Eco Max M connected

Connected Pods collection



Glass backside



Closed backside

CAPACITY

8 to 9 persons

WEIGHT

Pod 1385 kg
Crate 276 kg

ACOUSTICS

30,2 dB Cat A
ISO 23351-1

AIRFLOW

849.6 cfm
1440 m³/h

SUSTAINABLE

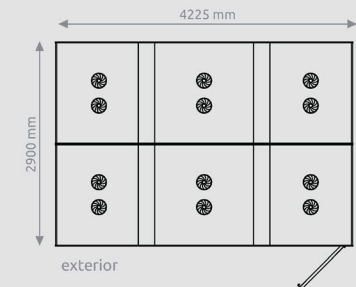
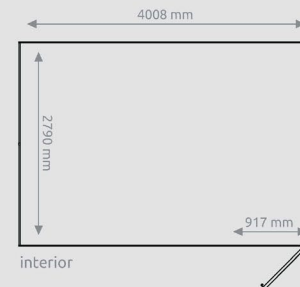
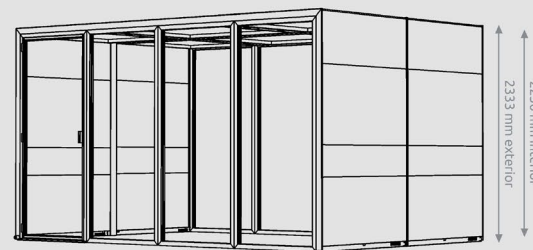
72,2% recycled
98,9 % recyclability

OPTIONAL

- power sockets see pag 12
 - interior - exterior options see pag 13
 - adaptable ventilation & light see pag 14
- Water sprinkler intergrated on request

INCLUDED

- 8x led-lights 5W with sensor
- air ventilation
- door with magnetic closure



Eco Max L connected

Connected Pods collection



Glass backside



Closed backside

CAPACITY

8 to 9 persons

WEIGHT

Pod 1553 kg
Crate 276 kg

ACOUSTICS

30,2 dB Cat A
ISO 23351-1

AIRFLOW

849.6 cfm
1440 m³/h

SUSTAINABLE

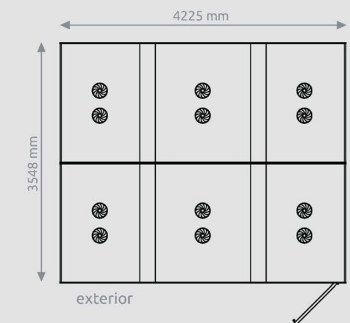
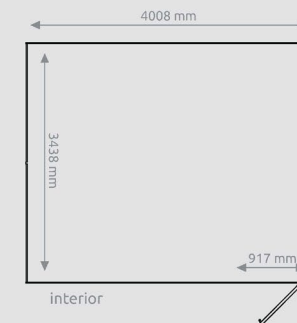
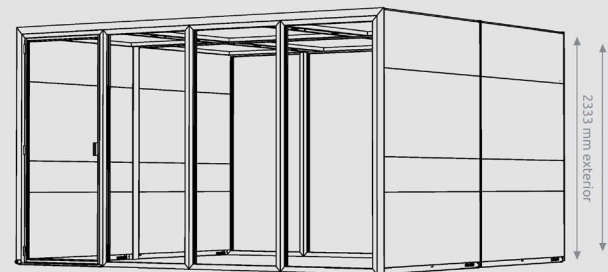
72,2% recycled
98,9 % recyclability

OPTIONAL

- power sockets see pag 12
 - interior - exterior options see pag 13
 - adaptable ventilation & light see pag 14
- Water sprinkler intergrated on request

INCLUDED

- 8x led-lights 5W with sensor
- air ventilation
- door with magnetic closure



Eco Max XL connected

Connected Pods collection



Glass backside



Closed backside

CAPACITY

10 to 11 persons

WEIGHT

Pod 2063 kg
Crate 276 kg

ACOUSTICS

30,2 dB Cat A
ISO 23351-1

AIRFLOW

849.6 cfm
1440 m³/h

SUSTAINABLE

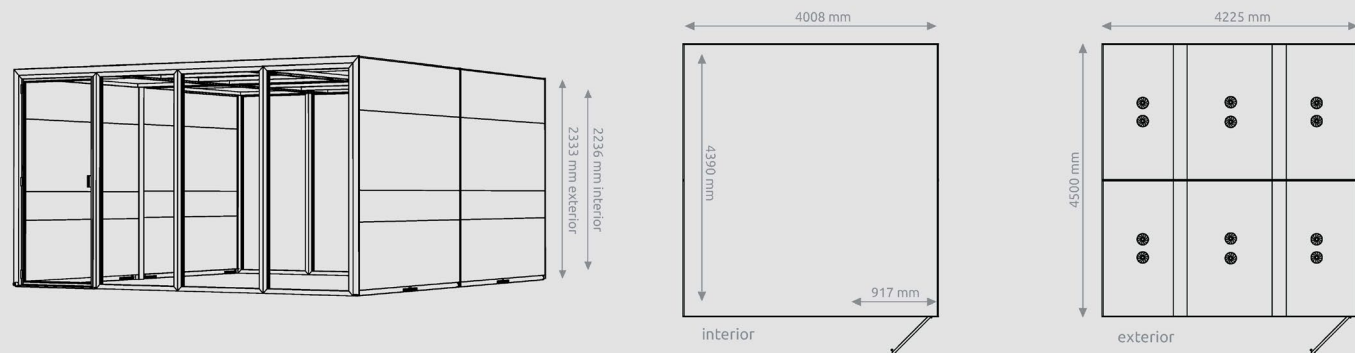
78,9% recycled
98,6% recyclability

OPTIONAL

- power sockets see pag 12
 - interior - exterior options see pag 13
 - adaptable ventilation & light see pag 14
- Water sprinkler intergrated on request

INCLUDED

- 8x led-lights 5W with sensor
- air ventilation
- door with magnetic closure



INTEGRATED POWER SOCKET OPTIONS



POWER SOCKET STANDARD

- 230 volt RA including 20cm cable GST18
- 68mm diameter
- 56mm installation depth
- sockets for foreign countries, available on request.



UTP Cat6 2x

- Two UTP ports included.
- 68mm diameter
- 56mm installation depth
- No cables included for ports at the backside



USB SPEED CHARGING

- 2x USB port include including 200mm cable GST18
- 68mm diameter
- 56mm installation depth
- For fast charging your phone, laptop or other devices.



Cat6 UTP + 1x HDMI

- 1x UTP Cat6 port included
- 1x HDMI included
- 68mm diameter
- 56mm installation depth
- No cables included for ports at the backside.



POWER SOCKET XL

- 230 volt, USB A and USB -C included.
- Diameter 84mm
- 73mm installation depth
- Including 200mm cable GST-18.
- Sockets for foreign countries available on request.



INTEGRATED INTERIOR OPTIONS

The generic components of each Pod are interchangeable. This allows for flexible configurations, such as replacing an upholstered panel with an integrated whiteboard or a laminated panel with a built-in tabletop. As a result, the Pod's functionality can be easily adapted at any later stage. Even a Meeting Pod for multiple users can be transformed into a Focus Pod for individual use.



Meeting table low



Meeting table high
Screenpanel



Bridge table low



Desk



Bridge table high



Screenpanel
Shelf and Sofa



Backside table



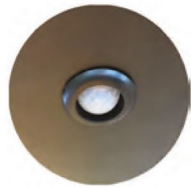
Lounge furniture

INTEGRATED LIGHTING & VENTILATION

A small motion detection sensor integrated in the ceiling activates the ventilators in the roof and the integrated LED lights in the ceiling when someone enters the Pod.

The silent ventilators suck out the hot air, creating an airflow from bottom to top. Cold air is coming in through small holes in the floor plinths, refreshing the air inside the pod in 2 minutes.

The temperature inside the Pods remains consistent with the surrounding environment, even when occupied by multiple people.



230 volt RA



ventilation slots



ventilators



7-watt led spots



ELECTRIFICATION & CABLE MANAGEMENT

The Pods can be connected to the network of building from each side at the floor or from the ceiling if preferred. Pods with a Mid-panel integrated in the back have an extra option using a 60mm diameter grommet placed 3cm above the floor in the middle.

Because the panels on the outside and inside of the Pod can be removed, a cable channel inside the wall is accessible and cables can be guided in any direction. All Pods are supplied with a four-gang GST18 power block and two five-meter GST18 cables to connect the Pod with power sockets to the building.



different power modules



power cables with GST18 plug



cable splitter for connecting



GST18 power block integrated in ceiling tray

